

Circus, Upholstered

EDITS

Design by Richard Trory, 2018

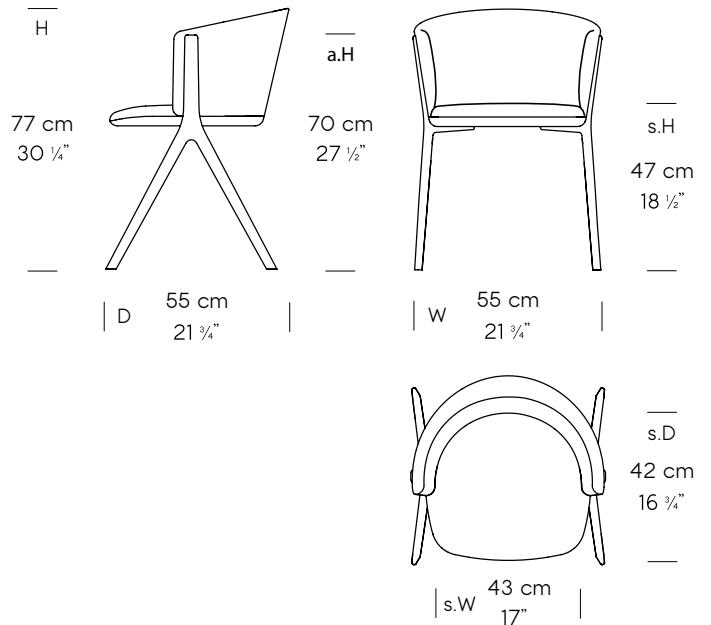
Fully Upholstered chair with aluminum frame, equally suitable for residential and commercial environments.

- Fully upholstered seat and back
- PHR Polyurethane Foam with curved plywood substrates
- Solid wood seat base with imbedded metal plate
- Option for exposed wood edge with lacquer or oil finish
- High-pressure die-cast aluminum legs
- No visible hardware or connections
- TPU non-marking plastic foot

- **Made in Canada**



Dimensions



- CAD available from hello@editsdesign.com
- Chair weight: 20 lbs.

Frame



polished (POL) black (BLK) white (WHT) custom RAL (RAL)

Wood



ash (AA) black ash (BK) walnut (WW) oiled walnut (OW)
*residential only

Upholstery

- Please review EDITS *Upholstery Options PDF* document for available options

COM 1.5 m/pcs. COL 25 sq.ft

Item numbers

- **CIR 200:** Upholstered Chair
- **CIR 205:** Upholstered Chair + Exposed Wood Base

Compliance

- ANSI/BIFMA X5.1 (US Commercial Seating)
- EN 16139:2013 (EU NonDomestic Seating)
- CAL TB 117 (US Flammability)
- BS 5852 Part 2 (UK Flammability)

- Weight capacity: 400 lbs.

Shipping Info

- 1 Chair per Carton
- Carton: 23-1/2" x 23-1/2" x 32" / 23 lbs.
- Pallets: 8 pcs on a 4'x4' pallet
- Ships from Vancouver, Canada FOB

Availability

- Production starts: July 1, 2018
- Made to order
- Lead time: 6-8 weeks + Shipping