

Circus, Wood

EDITS

Design by Richard Trory, 2018

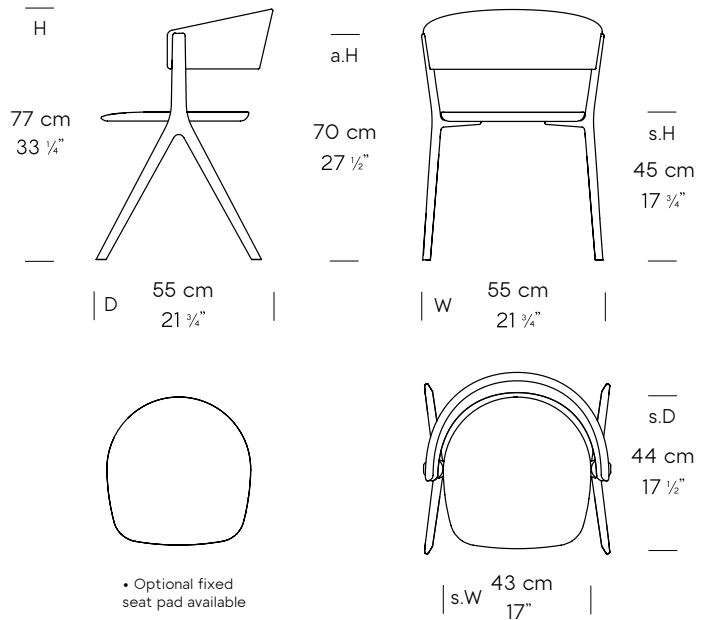
Solid wood chair with die-cast aluminum frame, equally suitable for residential and commercial environments.

- Steam-bent solid wood back
- Sculpted solid wood seat with imbedded metal plate
- High-pressure die-cast aluminum legs
- Optional fixed upholstered seat
- No visible hardware or connections
- Choice of hard-lacquer or oil finish
- TPU non-marking plastic foot

- **Made in Canada**



Dimensions



- CAD available from hello@editsdesign.com
- Chair weight: 20 lbs.

Frame



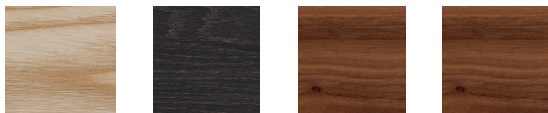
polished
(POL)

black
(BLK)

white
(WHT)

custom RAL
(RAL)

Wood



ash
(AA)

black ash
(BK)

walnut
(WW)

oiled walnut
(OW)

*residential only

Upholstery

- Please review EDITS *Upholstery Options PDF* document for available options

COM

0.5 m/pcs.

COL

5.5 sq.ft

Item numbers

- **CIR 100:** Wood Chair
- **CIR 110:** Wood Chair + Upholstered Seat

Compliance

- ANSI/BIFMA X5.1 (US Commercial Seating)
- EN 16139:2013 (EU NonDomestic Seating)
- CAL TB 117 (US Flammability)
- BS 5852 Part 2 (UK Flammability)

- Weight capacity: 400 lbs.

Shipping info

- 1 Chair per Carton
- Carton: 23-1/2" x 23-1/2" x 32" / 22 lbs
- Pallets: 8 pcs on a 4'x4' pallet
- Ships from Vancouver, Canada FOB

Availability

- Production starts: July 1, 2018
- Made to order
- Lead time: 6-8 weeks + Shipping